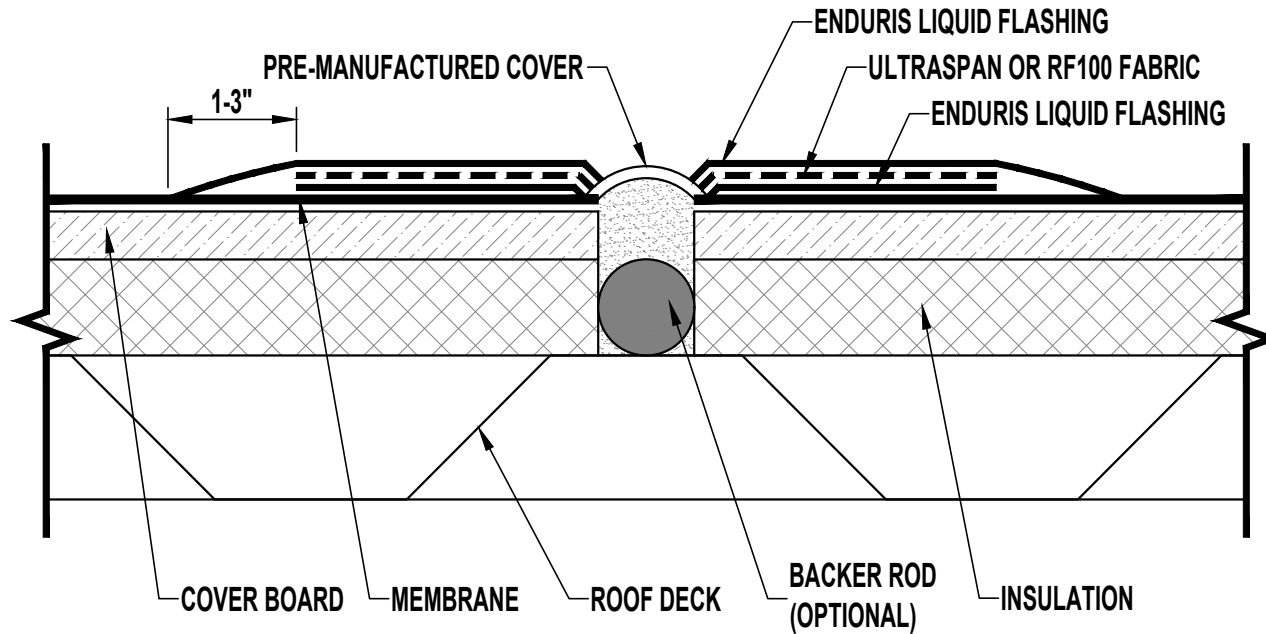




# GE Silicones



## EXPANSION JOINT

### GE SILICONES ENDURIS\* SILICONE ROOF COATING SYSTEMS

THE ABOVE DETAIL IS FOR ILLUSTRATION PURPOSES ONLY. IT IS INTENDED AS A GUIDELINE TO ASSIST MOMENTIVE PERFORMANCE MATERIALS PRODUCT USERS IN DEVELOPING PROJECT SPECIFIC DETAILS. CONSULT APPROPRIATE SPECIFICATION DOCUMENTS, DATA SHEETS, BUILDING CODES AND ANY OTHER INFORMATION DEEMED NECESSARY FOR SPECIFIC REQUIREMENTS. MOMENTIVE PRODUCT USERS ARE RESPONSIBLE FOR DETERMINING THE SUITABILITY OF MOMENTIVE PRODUCTS FOR THE PARTICULAR APPLICATION AND ALL RELATED PROJECT DETAILS. MOMENTIVE MAKES NO WARRANTY, EXPRESS OR IMPLIED, WITH RESPECT TO THE PERFORMANCE, SUITABILITY OR FITNESS FOR INTENDED USE OF ITS PRODUCTS IN ANY USER'S APPLICATION. ANY SALE OF PRODUCTS OR DELIVERY OF CUSTOMER SUPPORT AND ADVICE BY MOMENTIVE PERFORMANCE MATERIALS INC. AND/OR ANY OF ITS AFFILIATES ("MOMENTIVE") IS MADE EXCLUSIVELY UNDER MOMENTIVE'S STANDARD CONDITIONS OF SALE, WHICH ARE AVAILABLE AT [WWW.GESILICONES.COM](http://WWW.GESILICONES.COM)

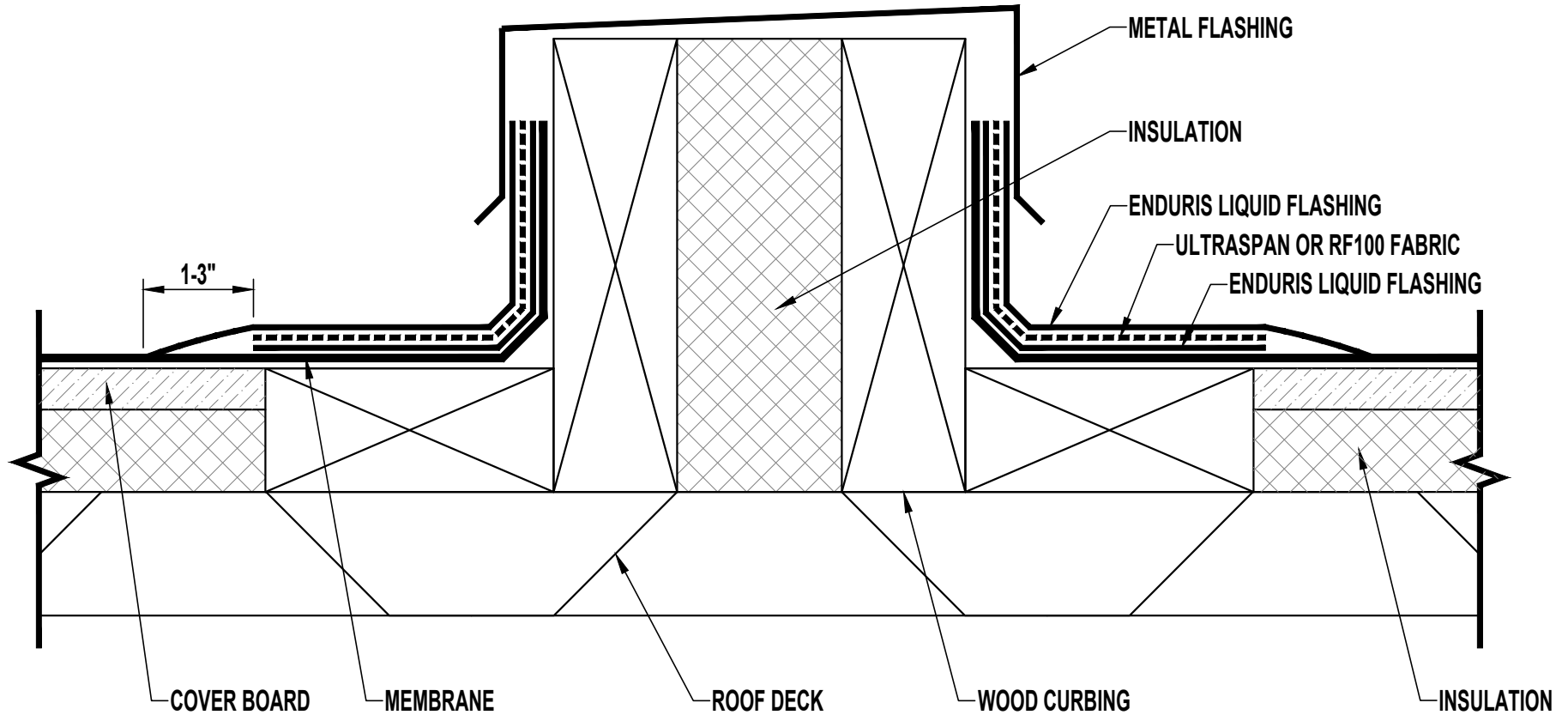
DETAIL #: 01

SCALE: N.T.S.

DATE: 2019-09-09



# GE Silicones



## EXPANSION JOINT WITH CURB

### GE SILICONES ENDURIS\* SILICONE ROOF COATING SYSTEMS

DETAIL #: 02

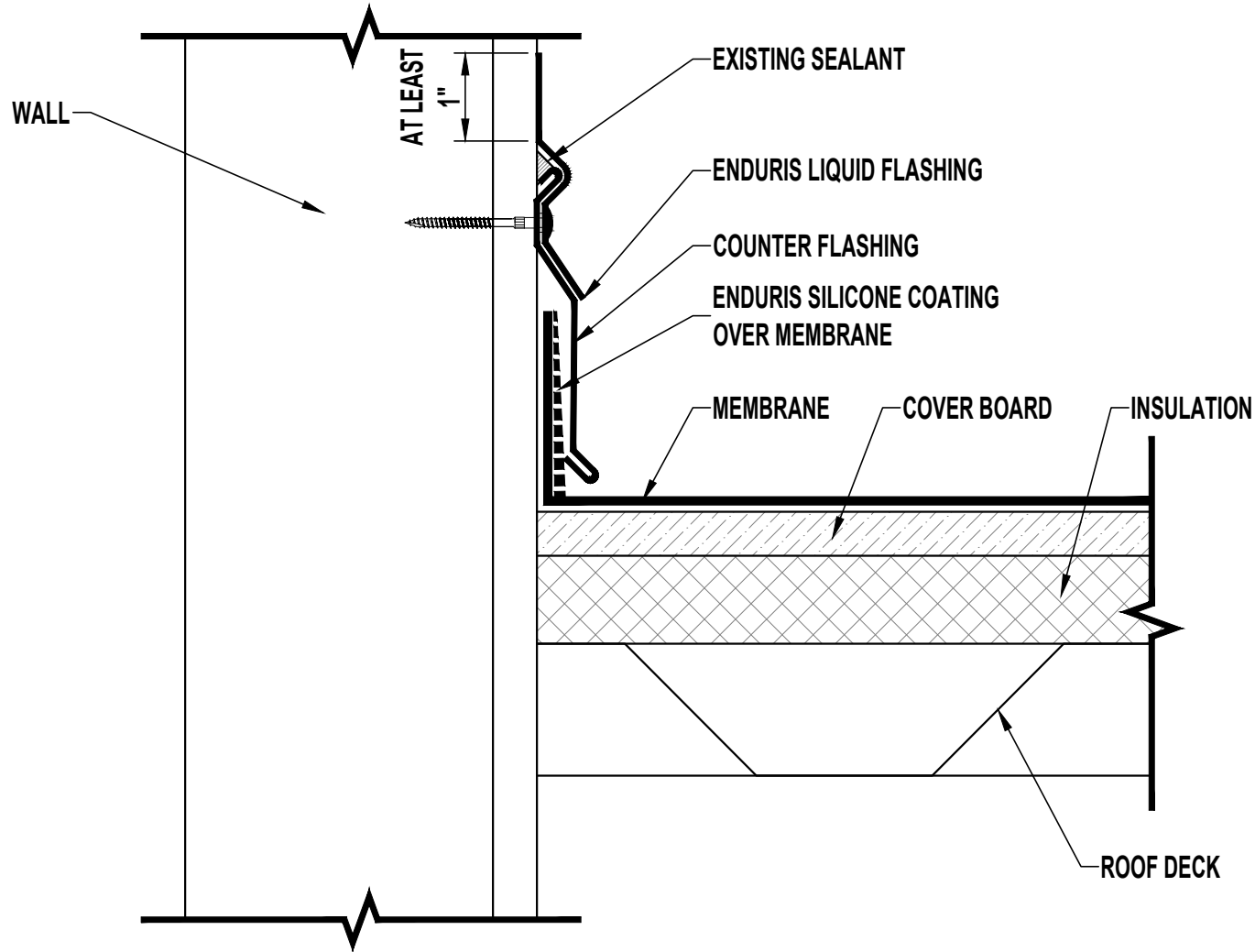
THE ABOVE DETAIL IS FOR ILLUSTRATION PURPOSES ONLY. IT IS INTENDED AS A GUIDELINE TO ASSIST MOMENTIVE PERFORMANCE MATERIALS PRODUCT USERS IN DEVELOPING PROJECT SPECIFIC DETAILS. CONSULT APPROPRIATE SPECIFICATION DOCUMENTS, DATA SHEETS, BUILDING CODES AND ANY OTHER INFORMATION DEEMED NECESSARY FOR SPECIFIC REQUIREMENTS. MOMENTIVE PRODUCT USERS ARE RESPONSIBLE FOR DETERMINING THE SUITABILITY OF MOMENTIVE PRODUCTS FOR THE PARTICULAR APPLICATION AND ALL RELATED PROJECT DETAILS. MOMENTIVE MAKES NO WARRANTY, EXPRESS OR IMPLIED, WITH RESPECT TO THE PERFORMANCE, SUITABILITY OR FITNESS FOR INTENDED USE OF ITS PRODUCTS IN ANY USER'S APPLICATION. ANY SALE OF PRODUCTS OR DELIVERY OF CUSTOMER SUPPORT AND ADVICE BY MOMENTIVE PERFORMANCE MATERIALS INC. AND/OR ANY OF ITS AFFILIATES ("MOMENTIVE") IS MADE EXCLUSIVELY UNDER MOMENTIVE'S STANDARD CONDITIONS OF SALE, WHICH ARE AVAILABLE AT [WWW.GESILICONES.COM](http://WWW.GESILICONES.COM)

SCALE: N.T.S.

DATE: 2019-09-09



# GE Silicones



## COUNTER FLASHING

### GE SILICONES ENDURIS\* SILICONE ROOF COATING SYSTEMS

DETAIL #: 03

THE ABOVE DETAIL IS FOR ILLUSTRATION PURPOSES ONLY. IT IS INTENDED AS A GUIDELINE TO ASSIST MOMENTIVE PERFORMANCE MATERIALS PRODUCT USERS IN DEVELOPING PROJECT SPECIFIC DETAILS. CONSULT APPROPRIATE SPECIFICATION DOCUMENTS, DATA SHEETS, BUILDING CODES AND ANY OTHER INFORMATION DEEMED NECESSARY FOR SPECIFIC REQUIREMENTS. MOMENTIVE PRODUCT USERS ARE RESPONSIBLE FOR DETERMINING THE SUITABILITY OF MOMENTIVE PRODUCTS FOR THE PARTICULAR APPLICATION AND ALL RELATED PROJECT DETAILS. MOMENTIVE MAKES NO WARRANTY, EXPRESS OR IMPLIED, WITH RESPECT TO THE PERFORMANCE, SUITABILITY OR FITNESS FOR INTENDED USE OF ITS PRODUCTS IN ANY USER'S APPLICATION. ANY SALE OF PRODUCTS OR DELIVERY OF CUSTOMER SUPPORT AND ADVICE BY MOMENTIVE PERFORMANCE MATERIALS INC. AND/OR ANY OF ITS AFFILIATES ("MOMENTIVE") IS MADE EXCLUSIVELY UNDER MOMENTIVE'S STANDARD CONDITIONS OF SALE, WHICH ARE AVAILABLE AT [WWW.GESILICONES.COM](http://WWW.GESILICONES.COM)

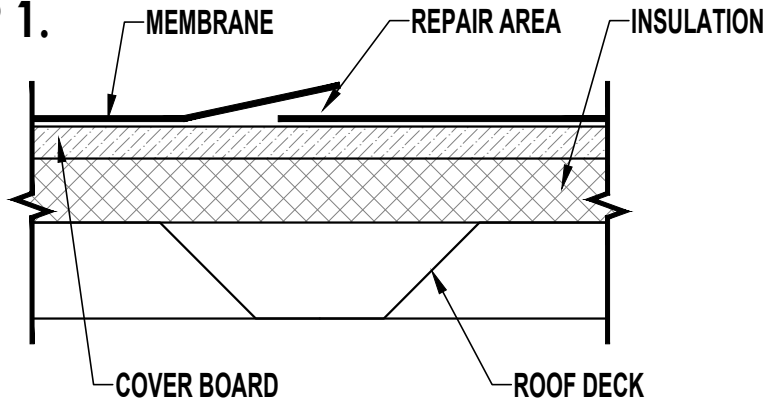
SCALE: N.T.S.

DATE: 2019-09-09

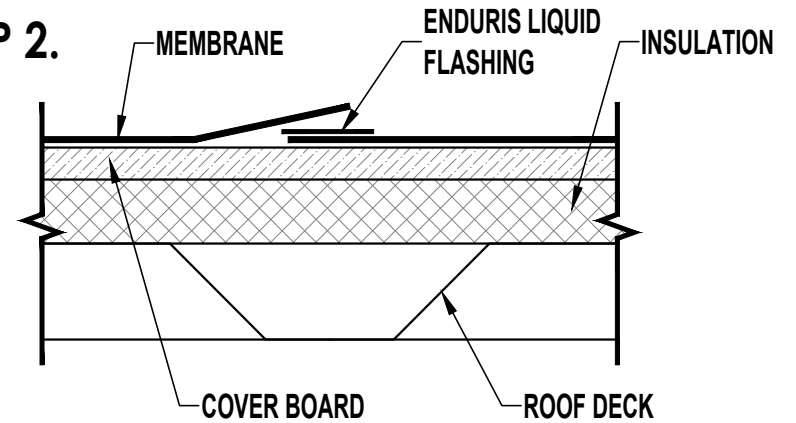


# GE Silicones

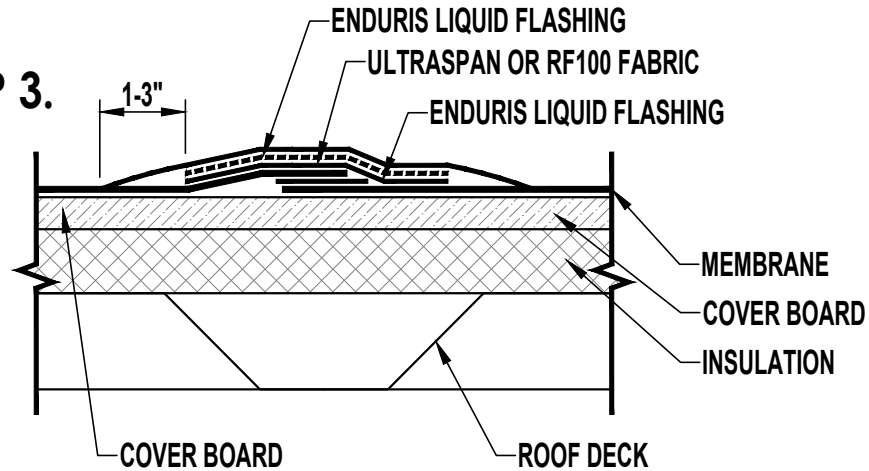
**STEP 1.**



**STEP 2.**



**STEP 3.**



## MEMBRANE REPAIRS

### GE SILICONES ENDURIS\* SILICONE ROOF COATING SYSTEMS

DETAIL #: 04

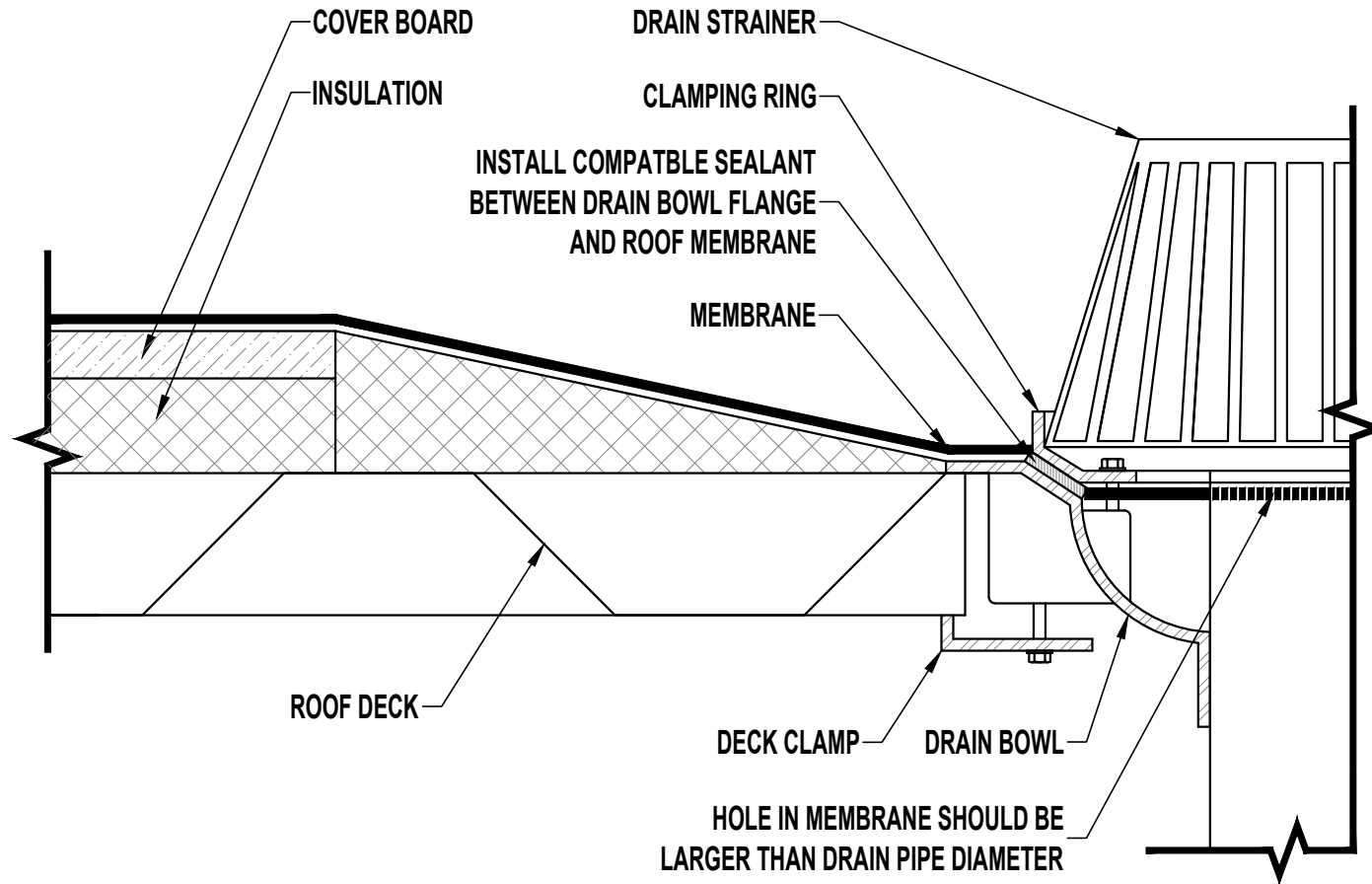
THE ABOVE DETAIL IS FOR ILLUSTRATION PURPOSES ONLY. IT IS INTENDED AS A GUIDELINE TO ASSIST MOMENTIVE PERFORMANCE MATERIALS PRODUCT USERS IN DEVELOPING PROJECT SPECIFIC DETAILS. CONSULT APPROPRIATE SPECIFICATION DOCUMENTS, DATA SHEETS, BUILDING CODES AND ANY OTHER INFORMATION DEEMED NECESSARY FOR SPECIFIC REQUIREMENTS. MOMENTIVE PRODUCT USERS ARE RESPONSIBLE FOR DETERMINING THE SUITABILITY OF MOMENTIVE PRODUCTS FOR THE PARTICULAR APPLICATION AND ALL RELATED PROJECT DETAILS. MOMENTIVE MAKES NO WARRANTY, EXPRESS OR IMPLIED, WITH RESPECT TO THE PERFORMANCE, SUITABILITY OR FITNESS FOR INTENDED USE OF ITS PRODUCTS IN ANY USER'S APPLICATION. ANY SALE OF PRODUCTS OR DELIVERY OF CUSTOMER SUPPORT AND ADVICE BY MOMENTIVE PERFORMANCE MATERIALS INC. AND/OR ANY OF ITS AFFILIATES ("MOMENTIVE") IS MADE EXCLUSIVELY UNDER MOMENTIVE'S STANDARD CONDITIONS OF SALE, WHICH ARE AVAILABLE AT [WWW.GESILICONES.COM](http://WWW.GESILICONES.COM)

SCALE: N.T.S.

DATE: 2019-09-09



GE Silicones



**FIELD DRAINS**

**GE SILICONES ENDURIS\* SILICONE ROOF COATING SYSTEMS**

DETAIL #: 05

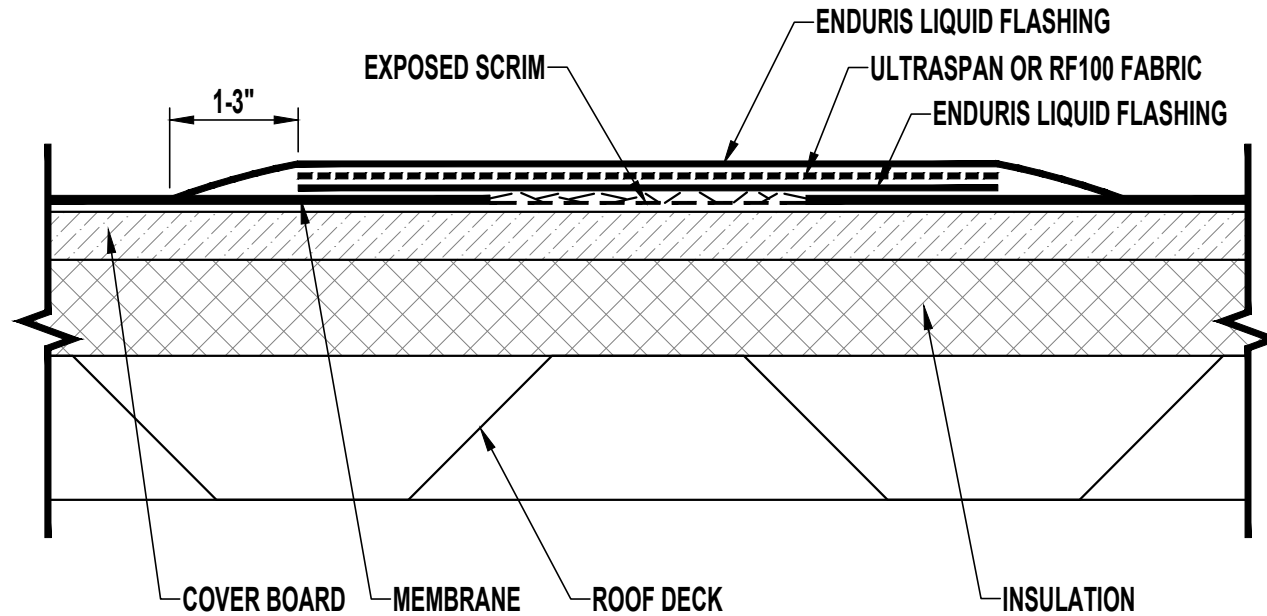
THE ABOVE DETAIL IS FOR ILLUSTRATION PURPOSES ONLY. IT IS INTENDED AS A GUIDELINE TO ASSIST MOMENTIVE PERFORMANCE MATERIALS PRODUCT USERS IN DEVELOPING PROJECT SPECIFIC DETAILS. CONSULT APPROPRIATE SPECIFICATION DOCUMENTS, DATA SHEETS, BUILDING CODES AND ANY OTHER INFORMATION DEEMED NECESSARY FOR SPECIFIC REQUIREMENTS. MOMENTIVE PRODUCT USERS ARE RESPONSIBLE FOR DETERMINING THE SUITABILITY OF MOMENTIVE PRODUCTS FOR THE PARTICULAR APPLICATION AND ALL RELATED PROJECT DETAILS. MOMENTIVE MAKES NO WARRANTY, EXPRESS OR IMPLIED, WITH RESPECT TO THE PERFORMANCE, SUITABILITY OR FITNESS FOR INTENDED USE OF ITS PRODUCTS IN ANY USER'S APPLICATION. ANY SALE OF PRODUCTS OR DELIVERY OF CUSTOMER SUPPORT AND ADVICE BY MOMENTIVE PERFORMANCE MATERIALS INC. AND/OR ANY OF ITS AFFILIATES ("MOMENTIVE") IS MADE EXCLUSIVELY UNDER MOMENTIVE'S STANDARD CONDITIONS OF SALE, WHICH ARE AVAILABLE AT WWW.GESILICONES.COM

SCALE: N.T.S.

DATE: 2019-09-09



GE Silicones



### EXPOSED SCRIM IN EXISTING MEMBRANE

#### GE SILICONES ENDURIS\* SILICONE ROOF COATING SYSTEMS

DETAIL #: 06

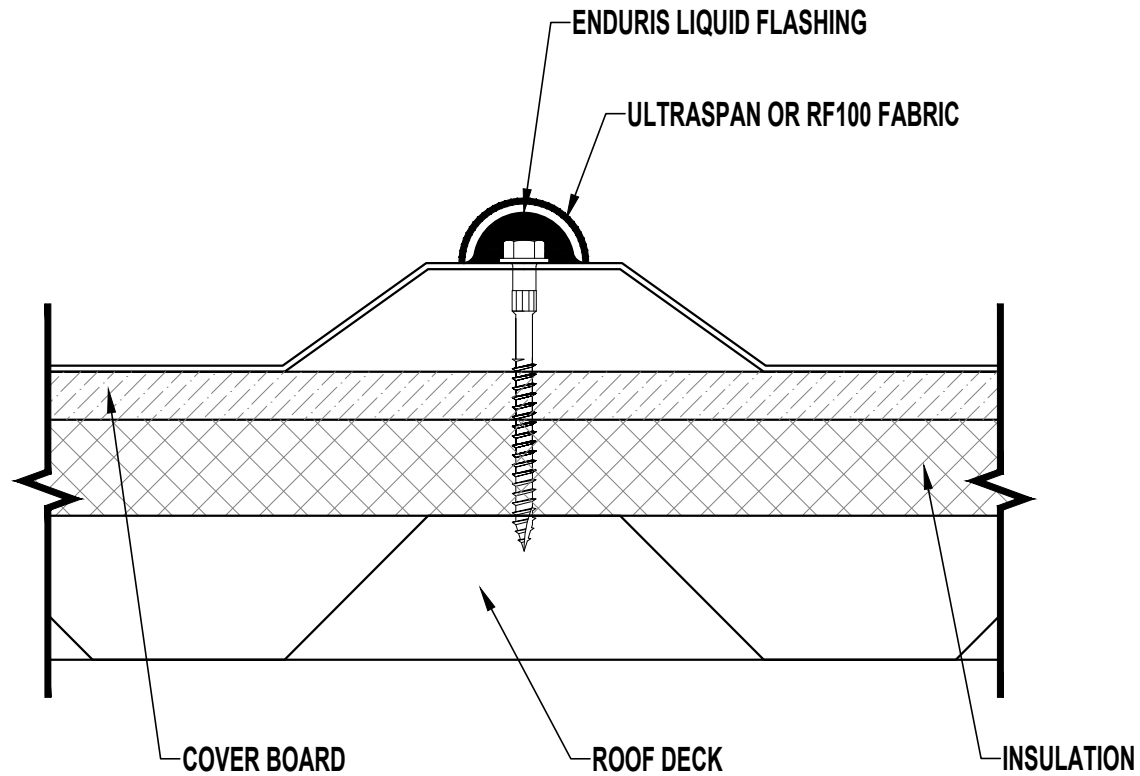
THE ABOVE DETAIL IS FOR ILLUSTRATION PURPOSES ONLY. IT IS INTENDED AS A GUIDELINE TO ASSIST MOMENTIVE PERFORMANCE MATERIALS PRODUCT USERS IN DEVELOPING PROJECT SPECIFIC DETAILS. CONSULT APPROPRIATE SPECIFICATION DOCUMENTS, DATA SHEETS, BUILDING CODES AND ANY OTHER INFORMATION DEEMED NECESSARY FOR SPECIFIC REQUIREMENTS. MOMENTIVE PRODUCT USERS ARE RESPONSIBLE FOR DETERMINING THE SUITABILITY OF MOMENTIVE PRODUCTS FOR THE PARTICULAR APPLICATION AND ALL RELATED PROJECT DETAILS. MOMENTIVE MAKES NO WARRANTY, EXPRESS OR IMPLIED, WITH RESPECT TO THE PERFORMANCE, SUITABILITY OR FITNESS FOR INTENDED USE OF ITS PRODUCTS IN ANY USER'S APPLICATION. ANY SALE OF PRODUCTS OR DELIVERY OF CUSTOMER SUPPORT AND ADVICE BY MOMENTIVE PERFORMANCE MATERIALS INC. AND/OR ANY OF ITS AFFILIATES ("MOMENTIVE") IS MADE EXCLUSIVELY UNDER MOMENTIVE'S STANDARD CONDITIONS OF SALE, WHICH ARE AVAILABLE AT [WWW.GESILICONES.COM](http://WWW.GESILICONES.COM)

SCALE: N.T.S.

DATE: 2019-09-09



# GE Silicones



## METAL PANEL FASTENERS

### GE SILICONES ENDURIS\* SILICONE ROOF COATING SYSTEMS

DETAIL #: 07

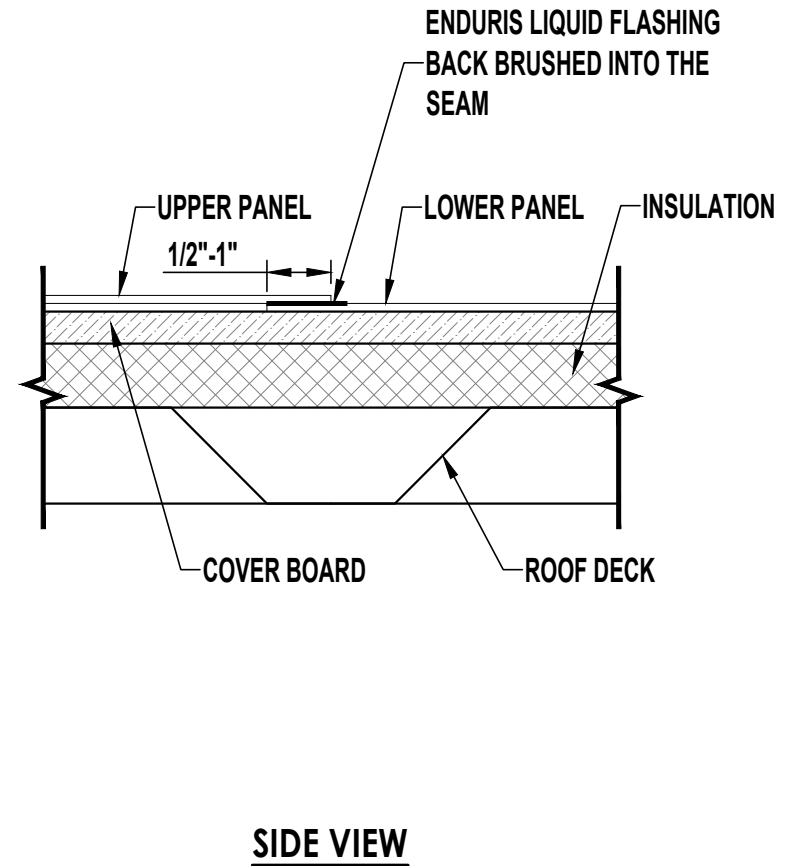
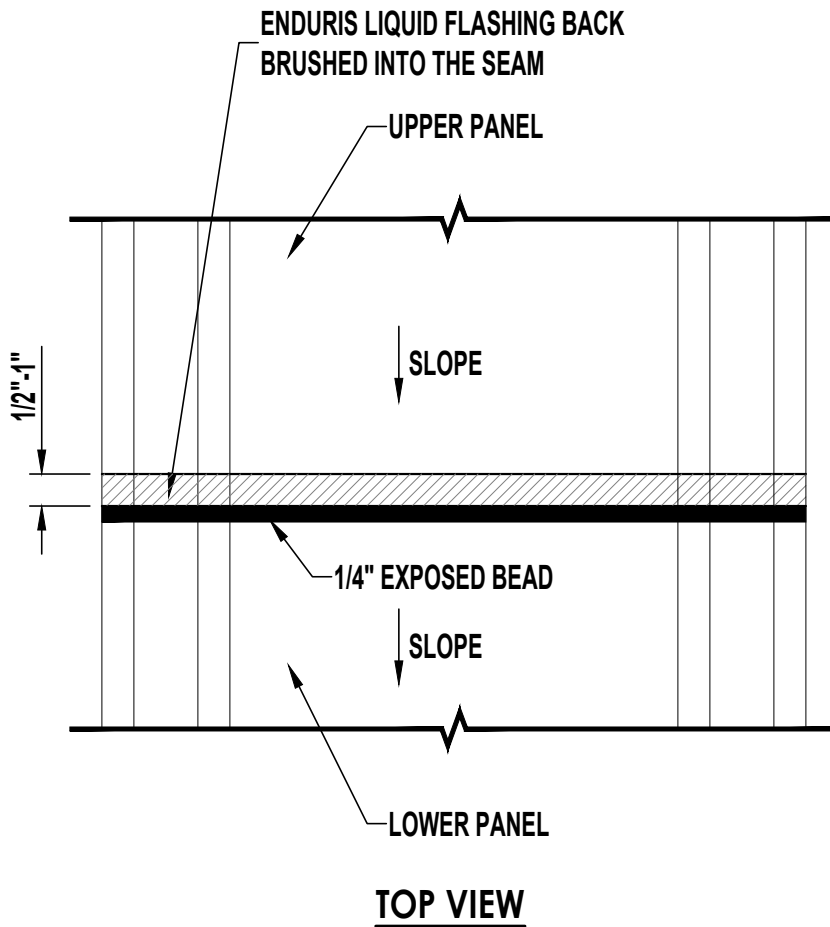
THE ABOVE DETAIL IS FOR ILLUSTRATION PURPOSES ONLY. IT IS INTENDED AS A GUIDELINE TO ASSIST MOMENTIVE PERFORMANCE MATERIALS PRODUCT USERS IN DEVELOPING PROJECT SPECIFIC DETAILS. CONSULT APPROPRIATE SPECIFICATION DOCUMENTS, DATA SHEETS, BUILDING CODES AND ANY OTHER INFORMATION DEEMED NECESSARY FOR SPECIFIC REQUIREMENTS. MOMENTIVE PRODUCT USERS ARE RESPONSIBLE FOR DETERMINING THE SUITABILITY OF MOMENTIVE PRODUCTS FOR THE PARTICULAR APPLICATION AND ALL RELATED PROJECT DETAILS. MOMENTIVE MAKES NO WARRANTY, EXPRESS OR IMPLIED, WITH RESPECT TO THE PERFORMANCE, SUITABILITY OR FITNESS FOR INTENDED USE OF ITS PRODUCTS IN ANY USER'S APPLICATION. ANY SALE OF PRODUCTS OR DELIVERY OF CUSTOMER SUPPORT AND ADVICE BY MOMENTIVE PERFORMANCE MATERIALS INC. AND/OR ANY OF ITS AFFILIATES ("MOMENTIVE") IS MADE EXCLUSIVELY UNDER MOMENTIVE'S STANDARD CONDITIONS OF SALE, WHICH ARE AVAILABLE AT [WWW.GESILICONES.COM](http://WWW.GESILICONES.COM)

SCALE: N.T.S.

DATE: 2019-09-09



GE Silicones



### METAL HORIZONTAL SEAMS

#### GE SILICONES ENDURIS\* SILICONE ROOF COATING SYSTEMS

DETAIL #: 08

THE ABOVE DETAIL IS FOR ILLUSTRATION PURPOSES ONLY. IT IS INTENDED AS A GUIDELINE TO ASSIST MOMENTIVE PERFORMANCE MATERIALS PRODUCT USERS IN DEVELOPING PROJECT SPECIFIC DETAILS. CONSULT APPROPRIATE SPECIFICATION DOCUMENTS, DATA SHEETS, BUILDING CODES AND ANY OTHER INFORMATION DEEMED NECESSARY FOR SPECIFIC REQUIREMENTS. MOMENTIVE PRODUCT USERS ARE RESPONSIBLE FOR DETERMINING THE SUITABILITY OF MOMENTIVE PRODUCTS FOR THE PARTICULAR APPLICATION AND ALL RELATED PROJECT DETAILS. MOMENTIVE MAKES NO WARRANTY, EXPRESS OR IMPLIED, WITH RESPECT TO THE PERFORMANCE, SUITABILITY OR FITNESS FOR INTENDED USE OF ITS PRODUCTS IN ANY USER'S APPLICATION. ANY SALE OF PRODUCTS OR DELIVERY OF CUSTOMER SUPPORT AND ADVICE BY MOMENTIVE PERFORMANCE MATERIALS INC. AND/OR ANY OF ITS AFFILIATES ("MOMENTIVE") IS MADE EXCLUSIVELY UNDER MOMENTIVE'S STANDARD CONDITIONS OF SALE, WHICH ARE AVAILABLE AT [WWW.GESILICONES.COM](http://WWW.GESILICONES.COM)

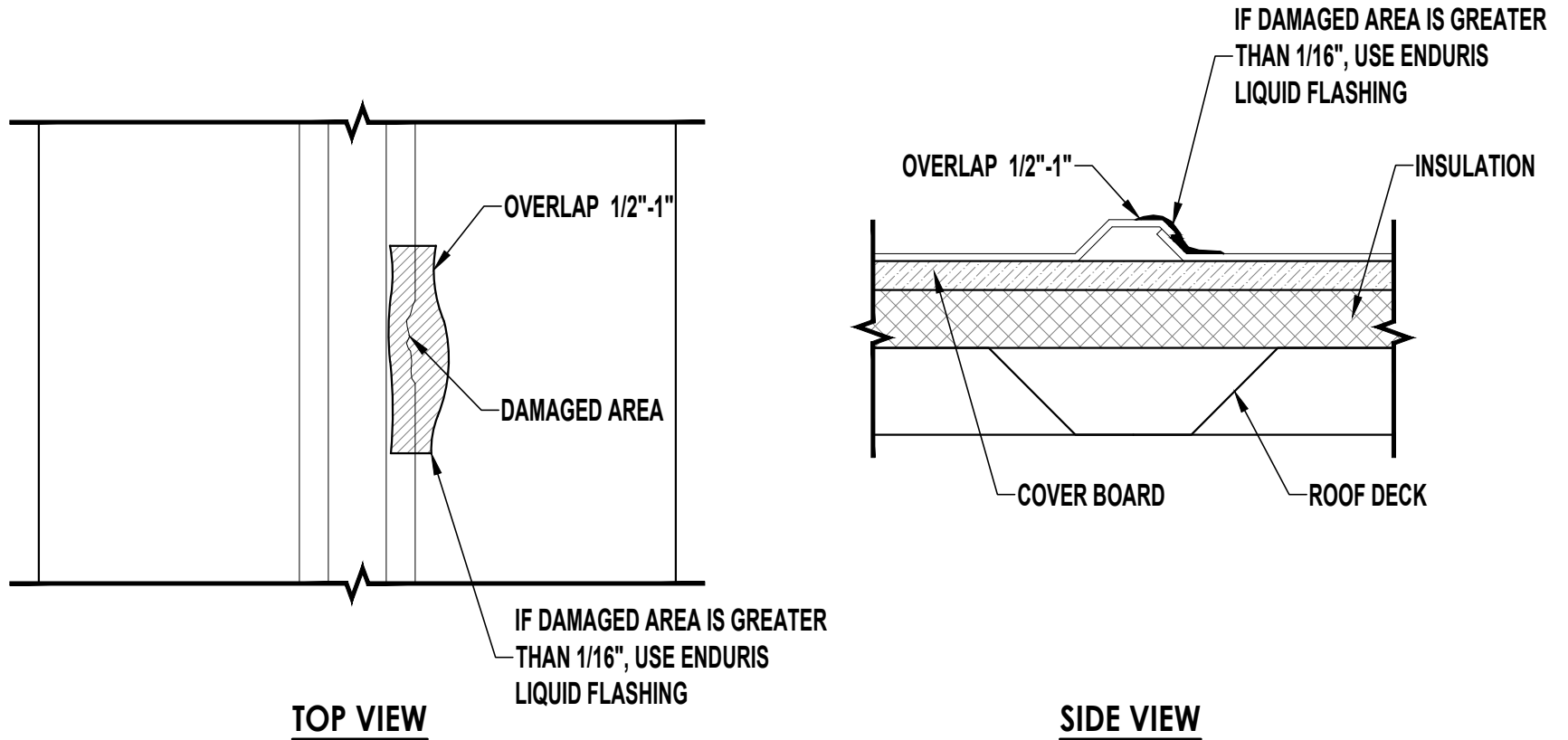
SCALE: N.T.S.

DATE: 2019-09-09





GE Silicones



**METAL VERTICAL SEAMS**

**GE SILICONES ENDURIS\* SILICONE ROOF COATING SYSTEMS**

DETAIL #: 09

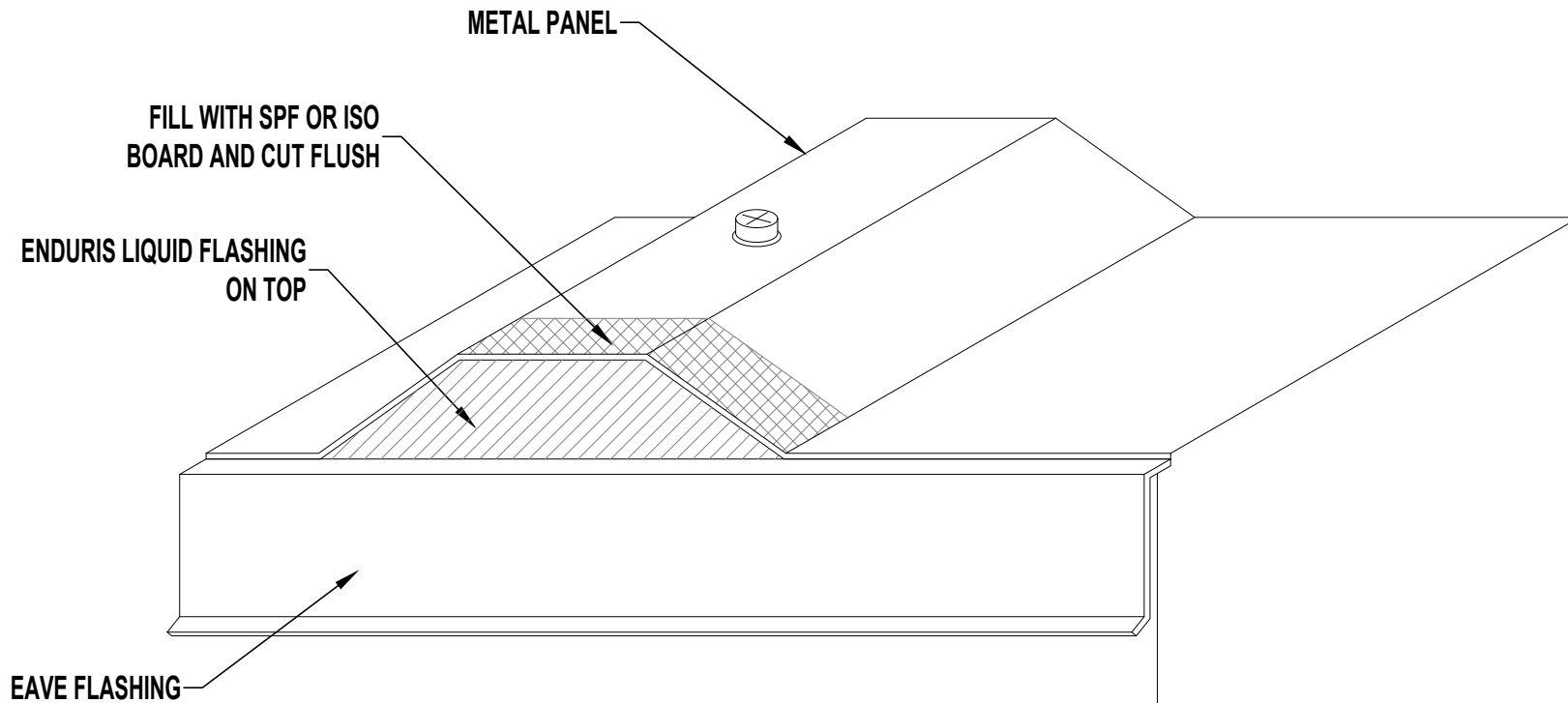
THE ABOVE DETAIL IS FOR ILLUSTRATION PURPOSES ONLY. IT IS INTENDED AS A GUIDELINE TO ASSIST MOMENTIVE PERFORMANCE MATERIALS PRODUCT USERS IN DEVELOPING PROJECT SPECIFIC DETAILS. CONSULT APPROPRIATE SPECIFICATION DOCUMENTS, DATA SHEETS, BUILDING CODES AND ANY OTHER INFORMATION DEEMED NECESSARY FOR SPECIFIC REQUIREMENTS. MOMENTIVE PRODUCT USERS ARE RESPONSIBLE FOR DETERMINING THE SUITABILITY OF MOMENTIVE PRODUCTS FOR THE PARTICULAR APPLICATION AND ALL RELATED PROJECT DETAILS. MOMENTIVE MAKES NO WARRANTY, EXPRESS OR IMPLIED, WITH RESPECT TO THE PERFORMANCE, SUITABILITY OR FITNESS FOR INTENDED USE OF ITS PRODUCTS IN ANY USER'S APPLICATION. ANY SALE OF PRODUCTS OR DELIVERY OF CUSTOMER SUPPORT AND ADVICE BY MOMENTIVE PERFORMANCE MATERIALS INC. AND/OR ANY OF ITS AFFILIATES ("MOMENTIVE") IS MADE EXCLUSIVELY UNDER MOMENTIVE'S STANDARD CONDITIONS OF SALE, WHICH ARE AVAILABLE AT WWW.GESILICONES.COM

SCALE: N.T.S.

DATE: 2019-09-09



# GE Silicones



## METAL EAVE CLOSURE

### GE SILICONES ENDURIS\* SILICONE ROOF COATING SYSTEMS

DETAIL #: 10

THE ABOVE DETAIL IS FOR ILLUSTRATION PURPOSES ONLY. IT IS INTENDED AS A GUIDELINE TO ASSIST MOMENTIVE PERFORMANCE MATERIALS PRODUCT USERS IN DEVELOPING PROJECT SPECIFIC DETAILS. CONSULT APPROPRIATE SPECIFICATION DOCUMENTS, DATA SHEETS, BUILDING CODES AND ANY OTHER INFORMATION DEEMED NECESSARY FOR SPECIFIC REQUIREMENTS. MOMENTIVE PRODUCT USERS ARE RESPONSIBLE FOR DETERMINING THE SUITABILITY OF MOMENTIVE PRODUCTS FOR THE PARTICULAR APPLICATION AND ALL RELATED PROJECT DETAILS. MOMENTIVE MAKES NO WARRANTY, EXPRESS OR IMPLIED, WITH RESPECT TO THE PERFORMANCE, SUITABILITY OR FITNESS FOR INTENDED USE OF ITS PRODUCTS IN ANY USER'S APPLICATION. ANY SALE OF PRODUCTS OR DELIVERY OF CUSTOMER SUPPORT AND ADVICE BY MOMENTIVE PERFORMANCE MATERIALS INC. AND/OR ANY OF ITS AFFILIATES ("MOMENTIVE") IS MADE EXCLUSIVELY UNDER MOMENTIVE'S STANDARD CONDITIONS OF SALE, WHICH ARE AVAILABLE AT [WWW.GESILICONES.COM](http://WWW.GESILICONES.COM)

SCALE: N.T.S.

DATE: 2019-09-09



# GE Silicones

SEAL ALL SCREWS WITH  
ENDURIS LIQUID FLASHING

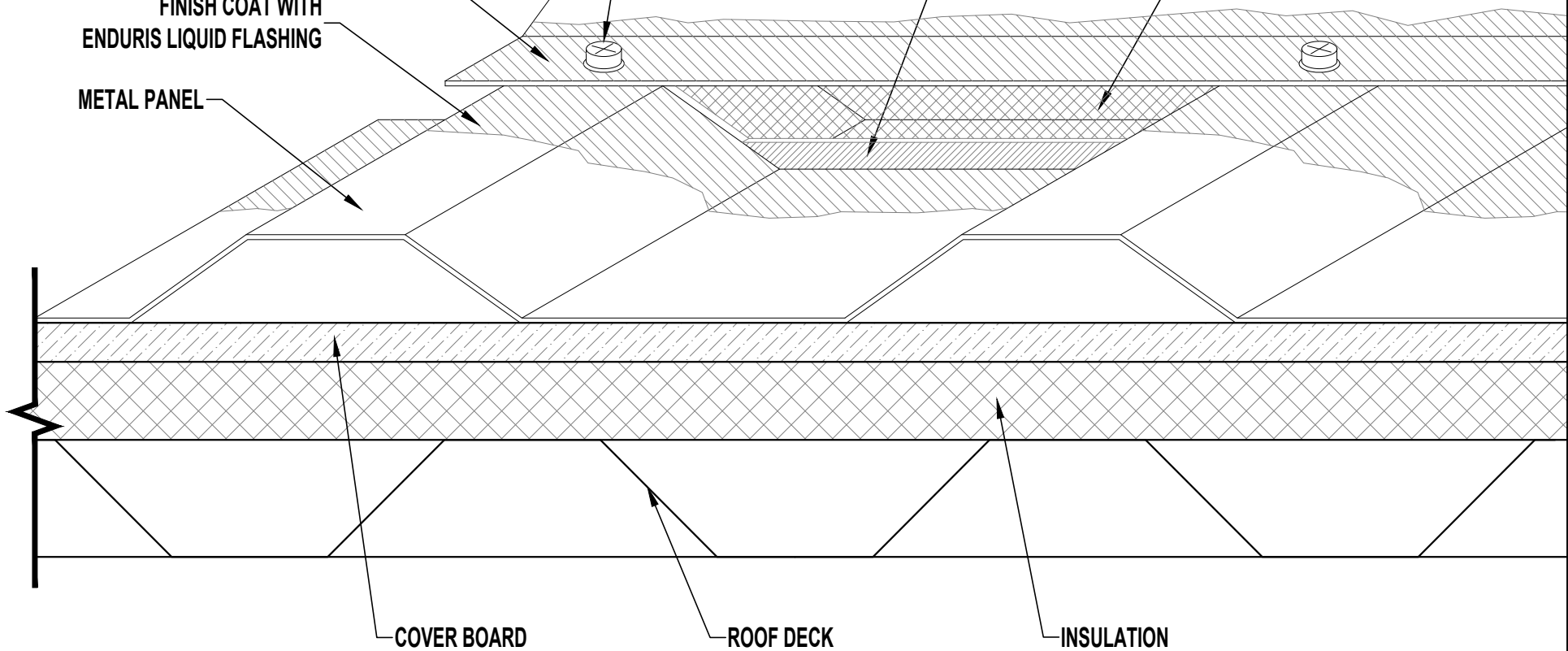
ENDURIS LIQUID  
FLASHING ON TOP

FILL WITH SPF OR ISO  
BOARD AND CUT FLUSH

METAL RIDGE

FINISH COAT WITH  
ENDURIS LIQUID FLASHING

METAL PANEL



## METAL RIDGE CLOSURE

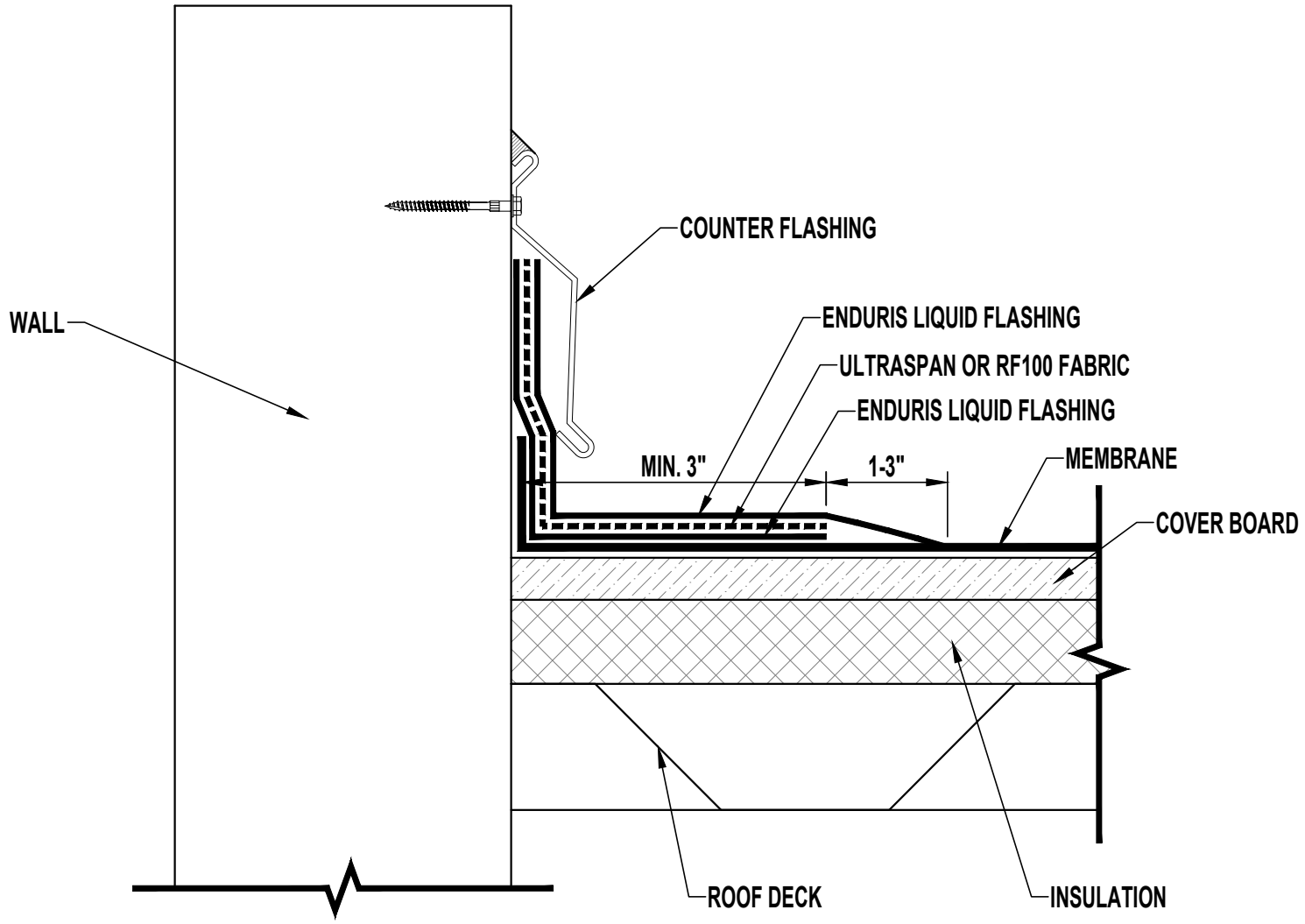
### GE SILICONES ENDURIS\* SILICONE ROOF COATING SYSTEMS

DETAIL #: 11

THE ABOVE DETAIL IS FOR ILLUSTRATION PURPOSES ONLY. IT IS INTENDED AS A GUIDELINE TO ASSIST MOMENTIVE PERFORMANCE MATERIALS PRODUCT USERS IN DEVELOPING PROJECT SPECIFIC DETAILS. CONSULT APPROPRIATE SPECIFICATION DOCUMENTS, DATA SHEETS, BUILDING CODES AND ANY OTHER INFORMATION DEEMED NECESSARY FOR SPECIFIC REQUIREMENTS. MOMENTIVE PRODUCT USERS ARE RESPONSIBLE FOR DETERMINING THE SUITABILITY OF MOMENTIVE PRODUCTS FOR THE PARTICULAR APPLICATION AND ALL RELATED PROJECT DETAILS. MOMENTIVE MAKES NO WARRANTY, EXPRESS OR IMPLIED, WITH RESPECT TO THE PERFORMANCE, SUITABILITY OR FITNESS FOR INTENDED USE OF ITS PRODUCTS IN ANY USER'S APPLICATION. ANY SALE OF PRODUCTS OR DELIVERY OF CUSTOMER SUPPORT AND ADVICE BY MOMENTIVE PERFORMANCE MATERIALS INC. AND/OR ANY OF ITS AFFILIATES ("MOMENTIVE") IS MADE EXCLUSIVELY UNDER MOMENTIVE'S STANDARD CONDITIONS OF SALE, WHICH ARE AVAILABLE AT [WWW.GESILICONES.COM](http://WWW.GESILICONES.COM)

SCALE: N.T.S.

DATE: 2019-09-09



### LOOSE MEMBRANE ATTACHMENT

#### GE SILICONES ENDURIS\* SILICONE ROOF COATING SYSTEMS

DETAIL #: 12

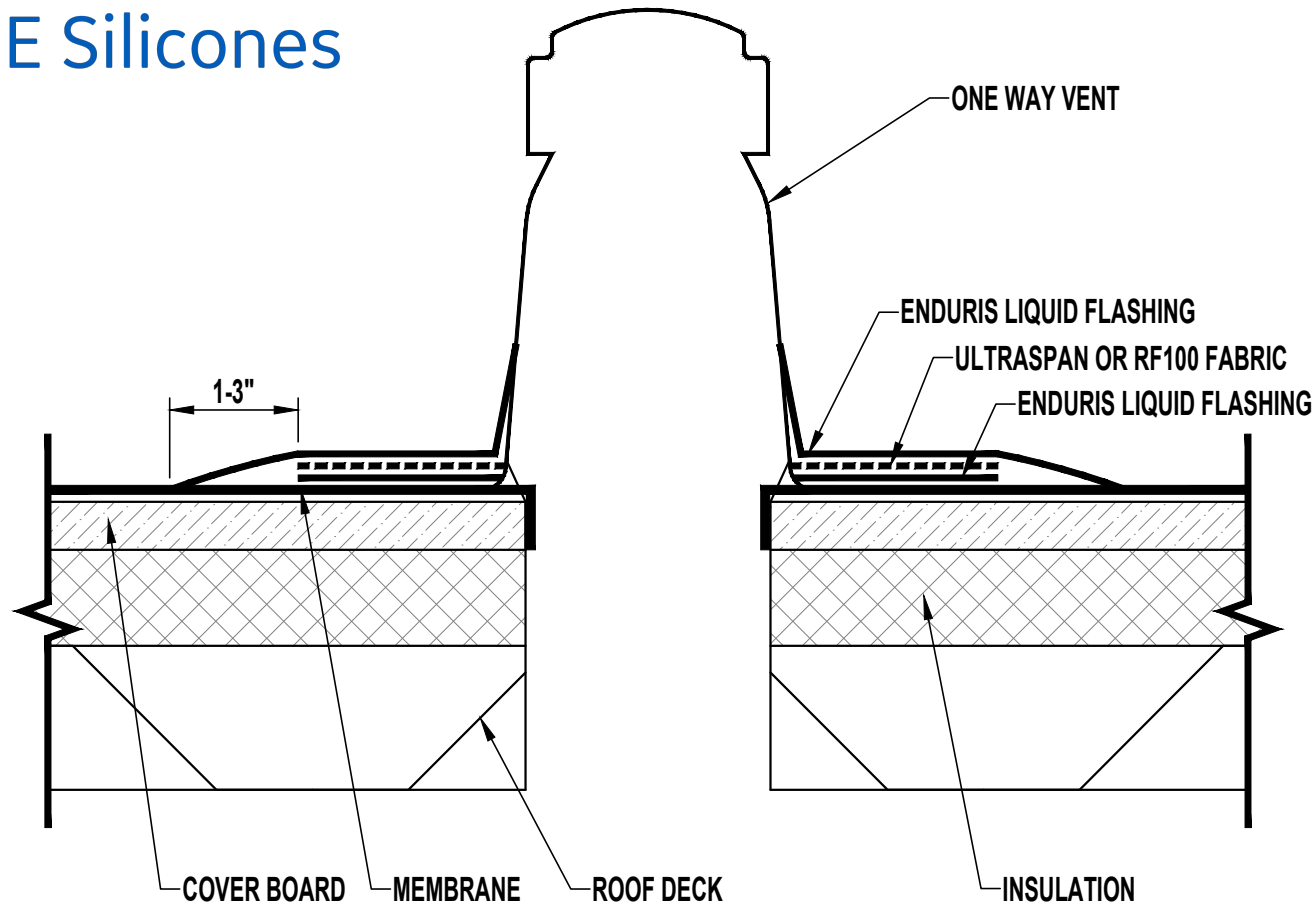
THE ABOVE DETAIL IS FOR ILLUSTRATION PURPOSES ONLY. IT IS INTENDED AS A GUIDELINE TO ASSIST MOMENTIVE PERFORMANCE MATERIALS PRODUCT USERS IN DEVELOPING PROJECT SPECIFIC DETAILS. CONSULT APPROPRIATE SPECIFICATION DOCUMENTS, DATA SHEETS, BUILDING CODES AND ANY OTHER INFORMATION DEEMED NECESSARY FOR SPECIFIC REQUIREMENTS. MOMENTIVE PRODUCT USERS ARE RESPONSIBLE FOR DETERMINING THE SUITABILITY OF MOMENTIVE PRODUCTS FOR THE PARTICULAR APPLICATION AND ALL RELATED PROJECT DETAILS. MOMENTIVE MAKES NO WARRANTY, EXPRESS OR IMPLIED, WITH RESPECT TO THE PERFORMANCE, SUITABILITY OR FITNESS FOR INTENDED USE OF ITS PRODUCTS IN ANY USER'S APPLICATION. ANY SALE OF PRODUCTS OR DELIVERY OF CUSTOMER SUPPORT AND ADVICE BY MOMENTIVE PERFORMANCE MATERIALS INC. AND/OR ANY OF ITS AFFILIATES ("MOMENTIVE") IS MADE EXCLUSIVELY UNDER MOMENTIVE'S STANDARD CONDITIONS OF SALE, WHICH ARE AVAILABLE AT [WWW.GESILICONES.COM](http://WWW.GESILICONES.COM)

SCALE: N.T.S.

DATE: 2019-09-09



# GE Silicones



## ONE WAY VENT

### GE SILICONES ENDURIS\* SILICONE ROOF COATING SYSTEMS

DETAIL #: 13

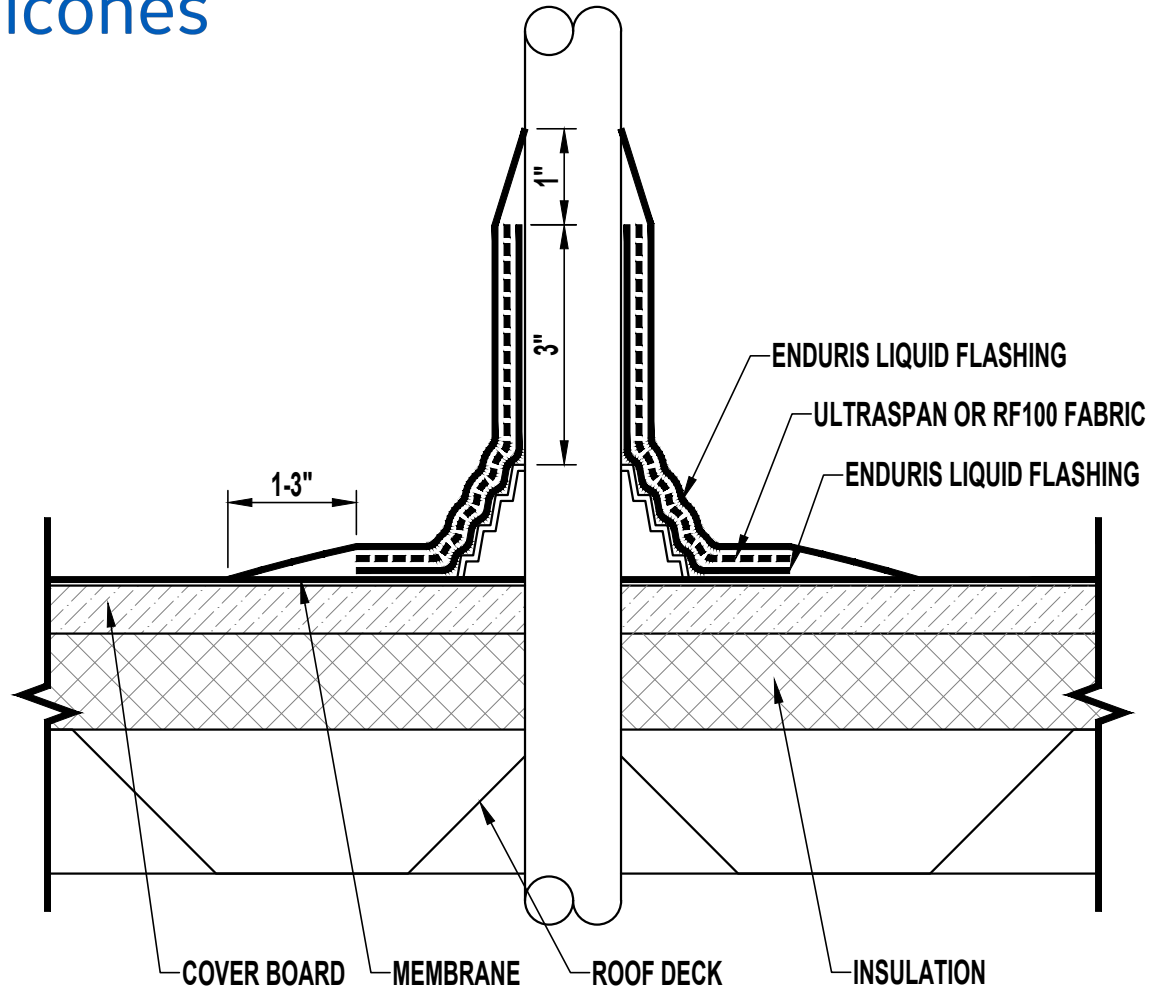
THE ABOVE DETAIL IS FOR ILLUSTRATION PURPOSES ONLY. IT IS INTENDED AS A GUIDELINE TO ASSIST MOMENTIVE PERFORMANCE MATERIALS PRODUCT USERS IN DEVELOPING PROJECT SPECIFIC DETAILS. CONSULT APPROPRIATE SPECIFICATION DOCUMENTS, DATA SHEETS, BUILDING CODES AND ANY OTHER INFORMATION DEEMED NECESSARY FOR SPECIFIC REQUIREMENTS. MOMENTIVE PRODUCT USERS ARE RESPONSIBLE FOR DETERMINING THE SUITABILITY OF MOMENTIVE PRODUCTS FOR THE PARTICULAR APPLICATION AND ALL RELATED PROJECT DETAILS. MOMENTIVE MAKES NO WARRANTY, EXPRESS OR IMPLIED, WITH RESPECT TO THE PERFORMANCE, SUITABILITY OR FITNESS FOR INTENDED USE OF ITS PRODUCTS IN ANY USER'S APPLICATION. ANY SALE OF PRODUCTS OR DELIVERY OF CUSTOMER SUPPORT AND ADVICE BY MOMENTIVE PERFORMANCE MATERIALS INC. AND/OR ANY OF ITS AFFILIATES ("MOMENTIVE") IS MADE EXCLUSIVELY UNDER MOMENTIVE'S STANDARD CONDITIONS OF SALE, WHICH ARE AVAILABLE AT [WWW.GESILICONES.COM](http://WWW.GESILICONES.COM)

SCALE: N.T.S.

DATE: 2019-09-09



# GE Silicones



## PIPE BOOT / VENTS

### GE SILICONES ENDURIS\* SILICONE ROOF COATING SYSTEMS

DETAIL #: 13

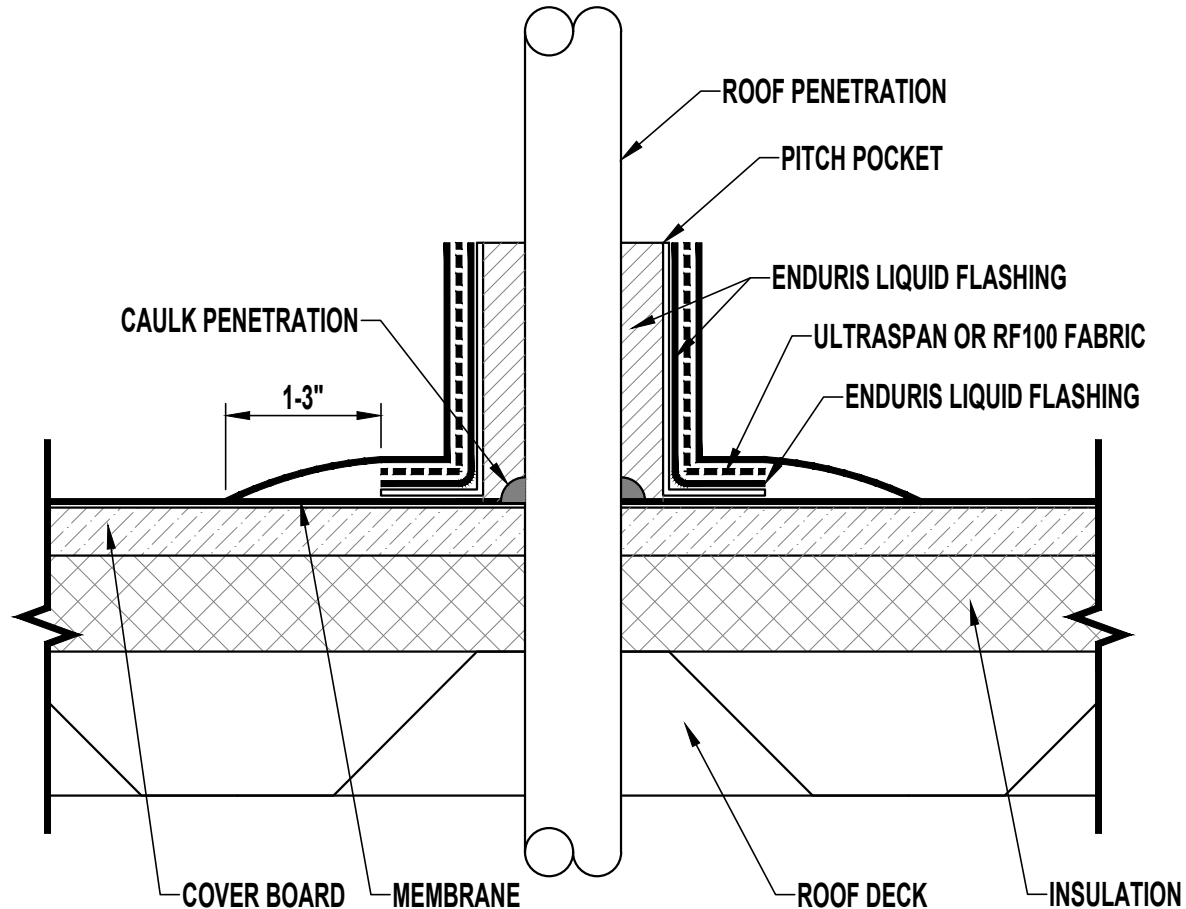
THE ABOVE DETAIL IS FOR ILLUSTRATION PURPOSES ONLY. IT IS INTENDED AS A GUIDELINE TO ASSIST MOMENTIVE PERFORMANCE MATERIALS PRODUCT USERS IN DEVELOPING PROJECT SPECIFIC DETAILS. CONSULT APPROPRIATE SPECIFICATION DOCUMENTS, DATA SHEETS, BUILDING CODES AND ANY OTHER INFORMATION DEEMED NECESSARY FOR SPECIFIC REQUIREMENTS. MOMENTIVE PRODUCT USERS ARE RESPONSIBLE FOR DETERMINING THE SUITABILITY OF MOMENTIVE PRODUCTS FOR THE PARTICULAR APPLICATION AND ALL RELATED PROJECT DETAILS. MOMENTIVE MAKES NO WARRANTY, EXPRESS OR IMPLIED, WITH RESPECT TO THE PERFORMANCE, SUITABILITY OR FITNESS FOR INTENDED USE OF ITS PRODUCTS IN ANY USER'S APPLICATION. ANY SALE OF PRODUCTS OR DELIVERY OF CUSTOMER SUPPORT AND ADVICE BY MOMENTIVE PERFORMANCE MATERIALS INC. AND/OR ANY OF ITS AFFILIATES ("MOMENTIVE") IS MADE EXCLUSIVELY UNDER MOMENTIVE'S STANDARD CONDITIONS OF SALE, WHICH ARE AVAILABLE AT [WWW.GESILICONES.COM](http://WWW.GESILICONES.COM)

SCALE: N.T.S.

DATE: 2019-09-09



# GE Silicones



## PITCH POCKET

### GE SILICONES ENDURIS\* SILICONE ROOF COATING SYSTEMS

DETAIL #: 15

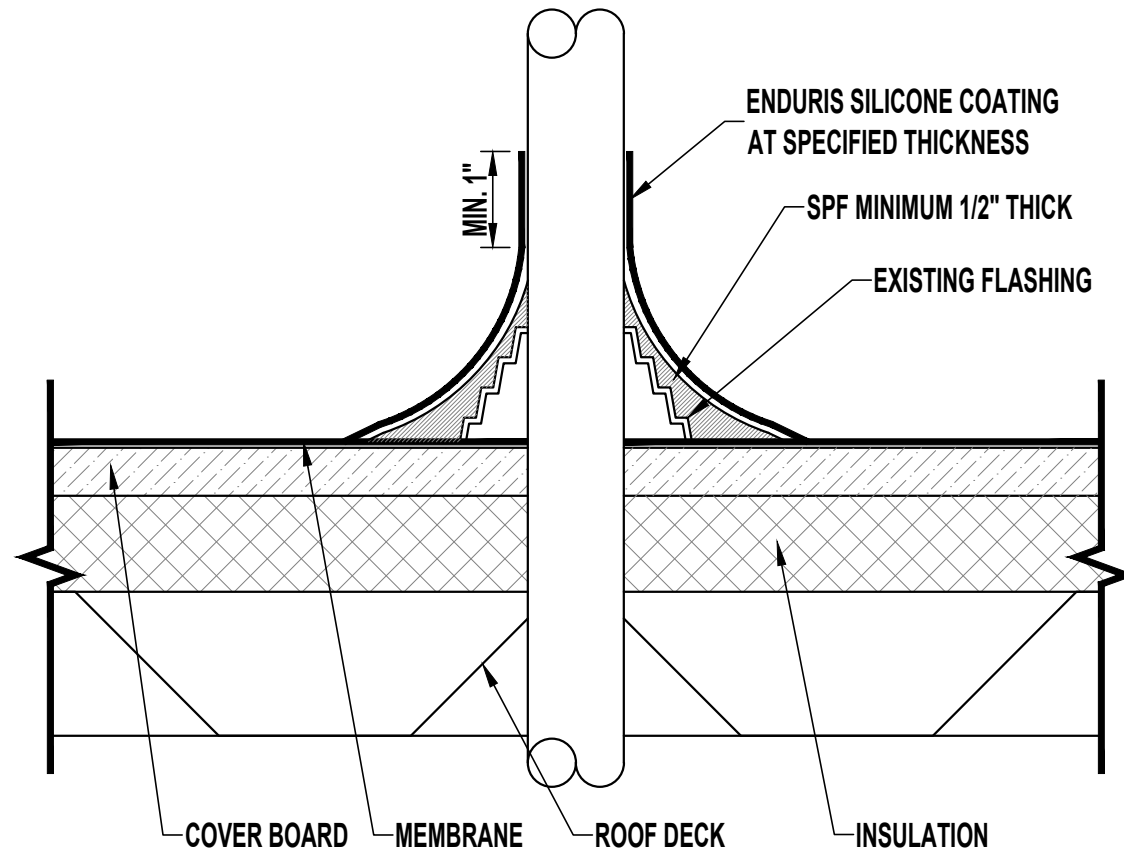
THE ABOVE DETAIL IS FOR ILLUSTRATION PURPOSES ONLY. IT IS INTENDED AS A GUIDELINE TO ASSIST MOMENTIVE PERFORMANCE MATERIALS PRODUCT USERS IN DEVELOPING PROJECT SPECIFIC DETAILS. CONSULT APPROPRIATE SPECIFICATION DOCUMENTS, DATA SHEETS, BUILDING CODES AND ANY OTHER INFORMATION DEEMED NECESSARY FOR SPECIFIC REQUIREMENTS. MOMENTIVE PRODUCT USERS ARE RESPONSIBLE FOR DETERMINING THE SUITABILITY OF MOMENTIVE PRODUCTS FOR THE PARTICULAR APPLICATION AND ALL RELATED PROJECT DETAILS. MOMENTIVE MAKES NO WARRANTY, EXPRESS OR IMPLIED, WITH RESPECT TO THE PERFORMANCE, SUITABILITY OR FITNESS FOR INTENDED USE OF ITS PRODUCTS IN ANY USER'S APPLICATION. ANY SALE OF PRODUCTS OR DELIVERY OF CUSTOMER SUPPORT AND ADVICE BY MOMENTIVE PERFORMANCE MATERIALS INC. AND/OR ANY OF ITS AFFILIATES ("MOMENTIVE") IS MADE EXCLUSIVELY UNDER MOMENTIVE'S STANDARD CONDITIONS OF SALE, WHICH ARE AVAILABLE AT [WWW.GESILICONES.COM](http://WWW.GESILICONES.COM)

SCALE: N.T.S.

DATE: 2019-09-09



# GE Silicones



## SPF FLASHING (HYBRID SYSTEM)

### GE SILICONES ENDURIS\* SILICONE ROOF COATING SYSTEMS

DETAIL #: 16

THE ABOVE DETAIL IS FOR ILLUSTRATION PURPOSES ONLY. IT IS INTENDED AS A GUIDELINE TO ASSIST MOMENTIVE PERFORMANCE MATERIALS PRODUCT USERS IN DEVELOPING PROJECT SPECIFIC DETAILS. CONSULT APPROPRIATE SPECIFICATION DOCUMENTS, DATA SHEETS, BUILDING CODES AND ANY OTHER INFORMATION DEEMED NECESSARY FOR SPECIFIC REQUIREMENTS. MOMENTIVE PRODUCT USERS ARE RESPONSIBLE FOR DETERMINING THE SUITABILITY OF MOMENTIVE PRODUCTS FOR THE PARTICULAR APPLICATION AND ALL RELATED PROJECT DETAILS. MOMENTIVE MAKES NO WARRANTY, EXPRESS OR IMPLIED, WITH RESPECT TO THE PERFORMANCE, SUITABILITY OR FITNESS FOR INTENDED USE OF ITS PRODUCTS IN ANY USER'S APPLICATION. ANY SALE OF PRODUCTS OR DELIVERY OF CUSTOMER SUPPORT AND ADVICE BY MOMENTIVE PERFORMANCE MATERIALS INC. AND/OR ANY OF ITS AFFILIATES ("MOMENTIVE") IS MADE EXCLUSIVELY UNDER MOMENTIVE'S STANDARD CONDITIONS OF SALE, WHICH ARE AVAILABLE AT [WWW.GESILICONES.COM](http://WWW.GESILICONES.COM)

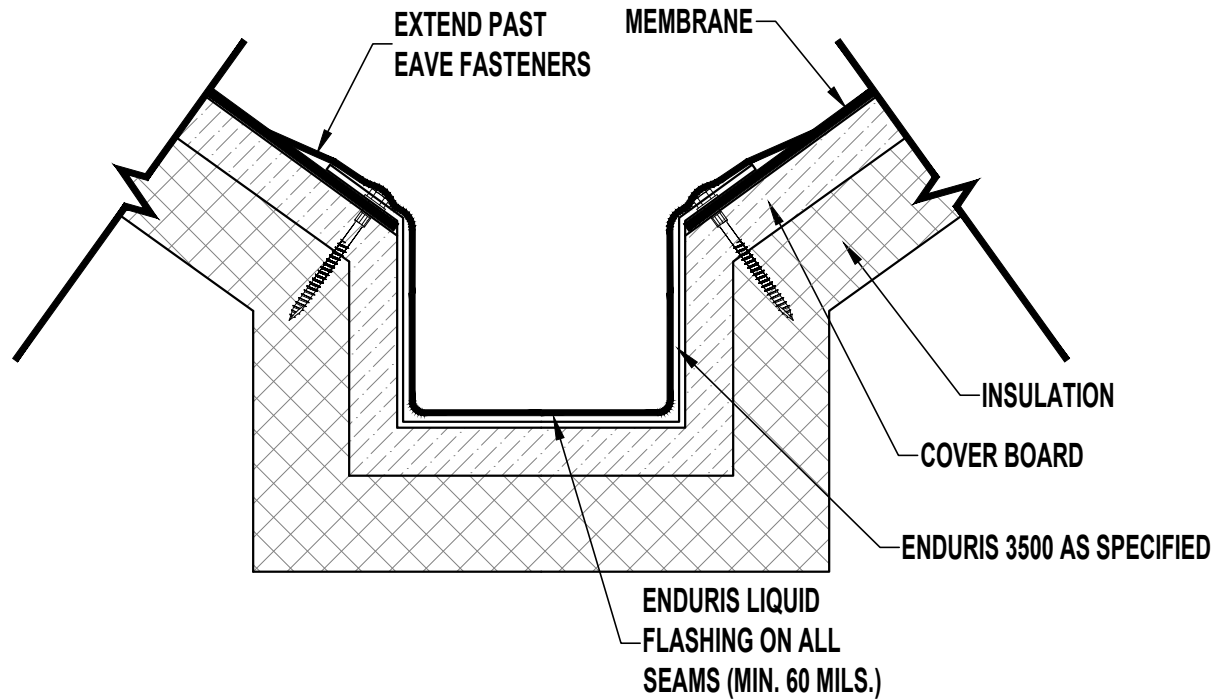
SCALE: N.T.S.

DATE: 2019-09-09





GE Silicones



### MEMBRANE ROOF GUTTER (INTERNAL)

#### GE SILICONES ENDURIS\* SILICONE ROOF COATING SYSTEMS

DETAIL #: 17

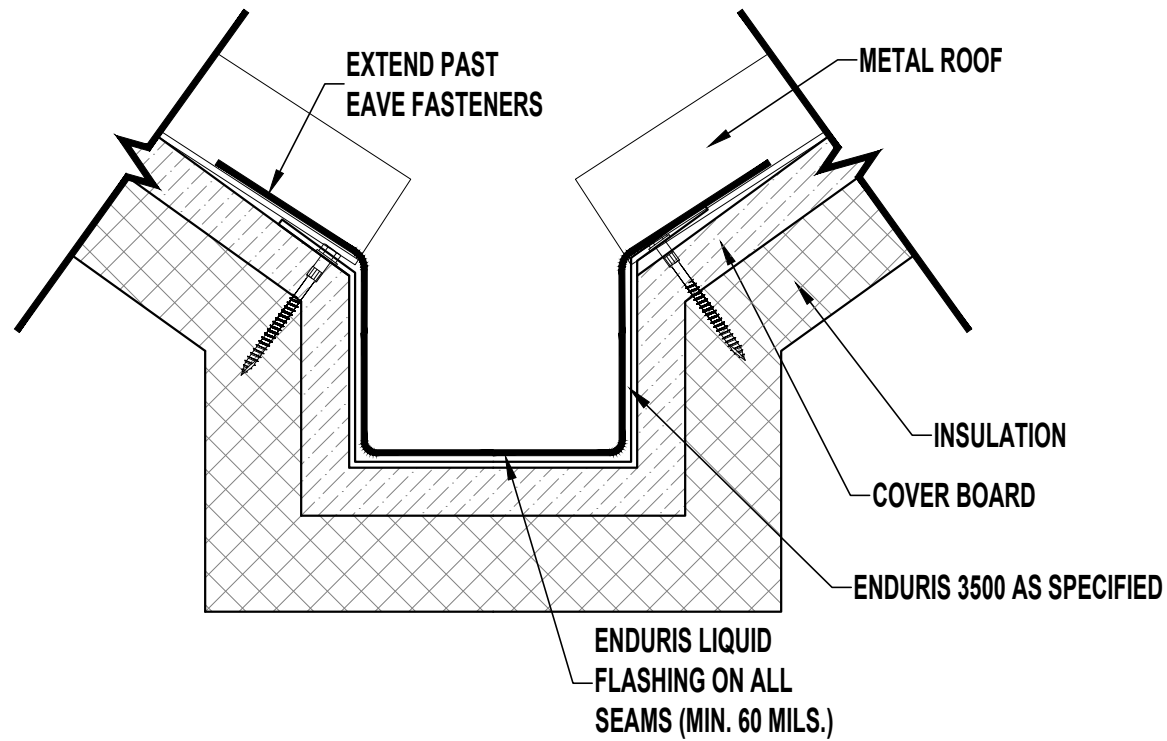
THE ABOVE DETAIL IS FOR ILLUSTRATION PURPOSES ONLY. IT IS INTENDED AS A GUIDELINE TO ASSIST MOMENTIVE PERFORMANCE MATERIALS PRODUCT USERS IN DEVELOPING PROJECT SPECIFIC DETAILS. CONSULT APPROPRIATE SPECIFICATION DOCUMENTS, DATA SHEETS, BUILDING CODES AND ANY OTHER INFORMATION DEEMED NECESSARY FOR SPECIFIC REQUIREMENTS. MOMENTIVE PRODUCT USERS ARE RESPONSIBLE FOR DETERMINING THE SUITABILITY OF MOMENTIVE PRODUCTS FOR THE PARTICULAR APPLICATION AND ALL RELATED PROJECT DETAILS. MOMENTIVE MAKES NO WARRANTY, EXPRESS OR IMPLIED, WITH RESPECT TO THE PERFORMANCE, SUITABILITY OR FITNESS FOR INTENDED USE OF ITS PRODUCTS IN ANY USER'S APPLICATION. ANY SALE OF PRODUCTS OR DELIVERY OF CUSTOMER SUPPORT AND ADVICE BY MOMENTIVE PERFORMANCE MATERIALS INC. AND/OR ANY OF ITS AFFILIATES ("MOMENTIVE") IS MADE EXCLUSIVELY UNDER MOMENTIVE'S STANDARD CONDITIONS OF SALE, WHICH ARE AVAILABLE AT [WWW.GESILICONES.COM](http://WWW.GESILICONES.COM)

SCALE: N.T.S.

DATE: 2019-09-09



GE Silicones



### METAL ROOF GUTTER (INTERNAL)

#### GE SILICONES ENDURIS\* SILICONE ROOF COATING SYSTEMS

DETAIL #: 18

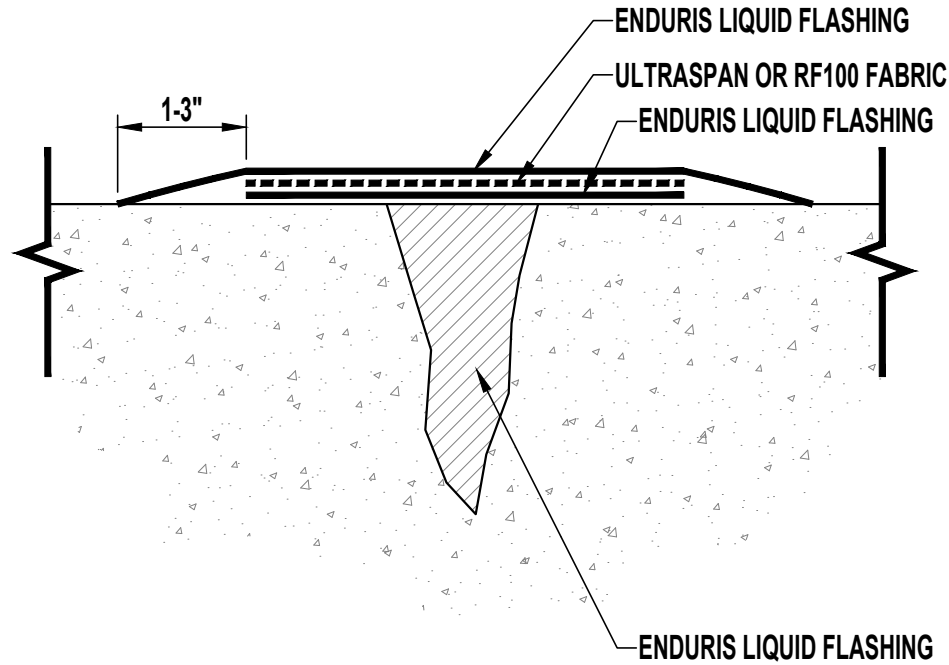
THE ABOVE DETAIL IS FOR ILLUSTRATION PURPOSES ONLY. IT IS INTENDED AS A GUIDELINE TO ASSIST MOMENTIVE PERFORMANCE MATERIALS PRODUCT USERS IN DEVELOPING PROJECT SPECIFIC DETAILS. CONSULT APPROPRIATE SPECIFICATION DOCUMENTS, DATA SHEETS, BUILDING CODES AND ANY OTHER INFORMATION DEEMED NECESSARY FOR SPECIFIC REQUIREMENTS. MOMENTIVE PRODUCT USERS ARE RESPONSIBLE FOR DETERMINING THE SUITABILITY OF MOMENTIVE PRODUCTS FOR THE PARTICULAR APPLICATION AND ALL RELATED PROJECT DETAILS. MOMENTIVE MAKES NO WARRANTY, EXPRESS OR IMPLIED, WITH RESPECT TO THE PERFORMANCE, SUITABILITY OR FITNESS FOR INTENDED USE OF ITS PRODUCTS IN ANY USER'S APPLICATION. ANY SALE OF PRODUCTS OR DELIVERY OF CUSTOMER SUPPORT AND ADVICE BY MOMENTIVE PERFORMANCE MATERIALS INC. AND/OR ANY OF ITS AFFILIATES ("MOMENTIVE") IS MADE EXCLUSIVELY UNDER MOMENTIVE'S STANDARD CONDITIONS OF SALE, WHICH ARE AVAILABLE AT [WWW.GESILICONES.COM](http://WWW.GESILICONES.COM)

SCALE: N.T.S.

DATE: 2019-09-09



# GE Silicones



## CONCRETE CRACKS

### GE SILICONES ENDURIS\* SILICONE ROOF COATING SYSTEMS

DETAIL #: 19

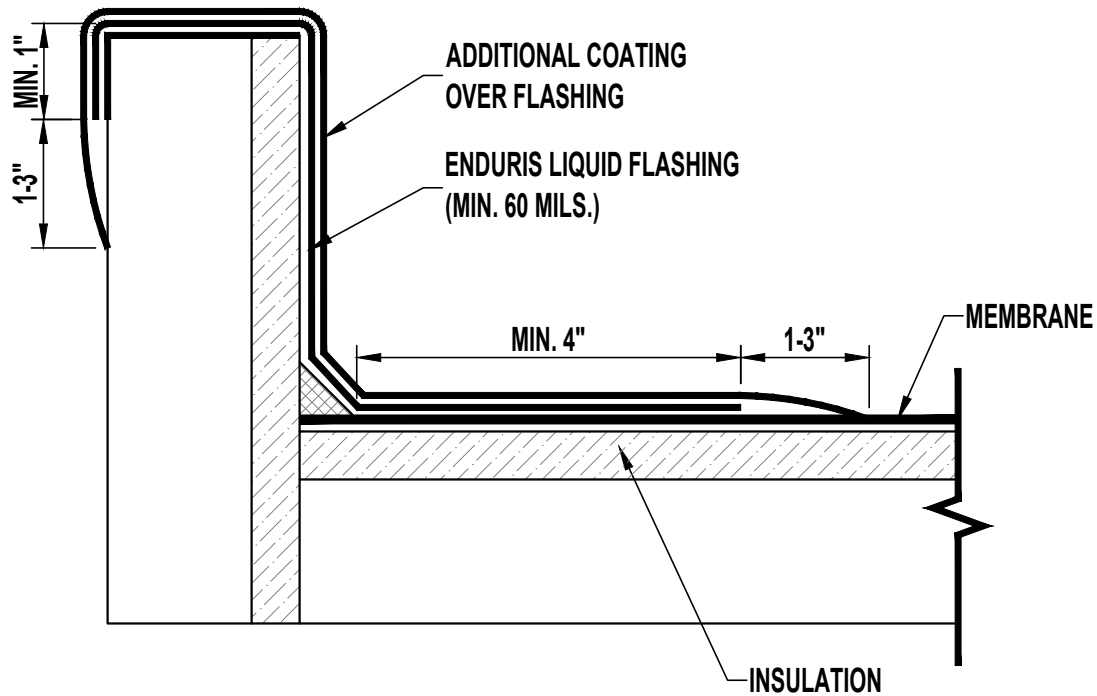
THE ABOVE DETAIL IS FOR ILLUSTRATION PURPOSES ONLY. IT IS INTENDED AS A GUIDELINE TO ASSIST MOMENTIVE PERFORMANCE MATERIALS PRODUCT USERS IN DEVELOPING PROJECT SPECIFIC DETAILS. CONSULT APPROPRIATE SPECIFICATION DOCUMENTS, DATA SHEETS, BUILDING CODES AND ANY OTHER INFORMATION DEEMED NECESSARY FOR SPECIFIC REQUIREMENTS. MOMENTIVE PRODUCT USERS ARE RESPONSIBLE FOR DETERMINING THE SUITABILITY OF MOMENTIVE PRODUCTS FOR THE PARTICULAR APPLICATION AND ALL RELATED PROJECT DETAILS. MOMENTIVE MAKES NO WARRANTY, EXPRESS OR IMPLIED, WITH RESPECT TO THE PERFORMANCE, SUITABILITY OR FITNESS FOR INTENDED USE OF ITS PRODUCTS IN ANY USER'S APPLICATION. ANY SALE OF PRODUCTS OR DELIVERY OF CUSTOMER SUPPORT AND ADVICE BY MOMENTIVE PERFORMANCE MATERIALS INC. AND/OR ANY OF ITS AFFILIATES ("MOMENTIVE") IS MADE EXCLUSIVELY UNDER MOMENTIVE'S STANDARD CONDITIONS OF SALE, WHICH ARE AVAILABLE AT [WWW.GESILICONES.COM](http://WWW.GESILICONES.COM)

SCALE: N.T.S.

DATE: 2019-09-09



# GE Silicones



## CURB DETAIL

### GE SILICONES ENDURIS\* SILICONE ROOF COATING SYSTEMS

DETAIL #: 20

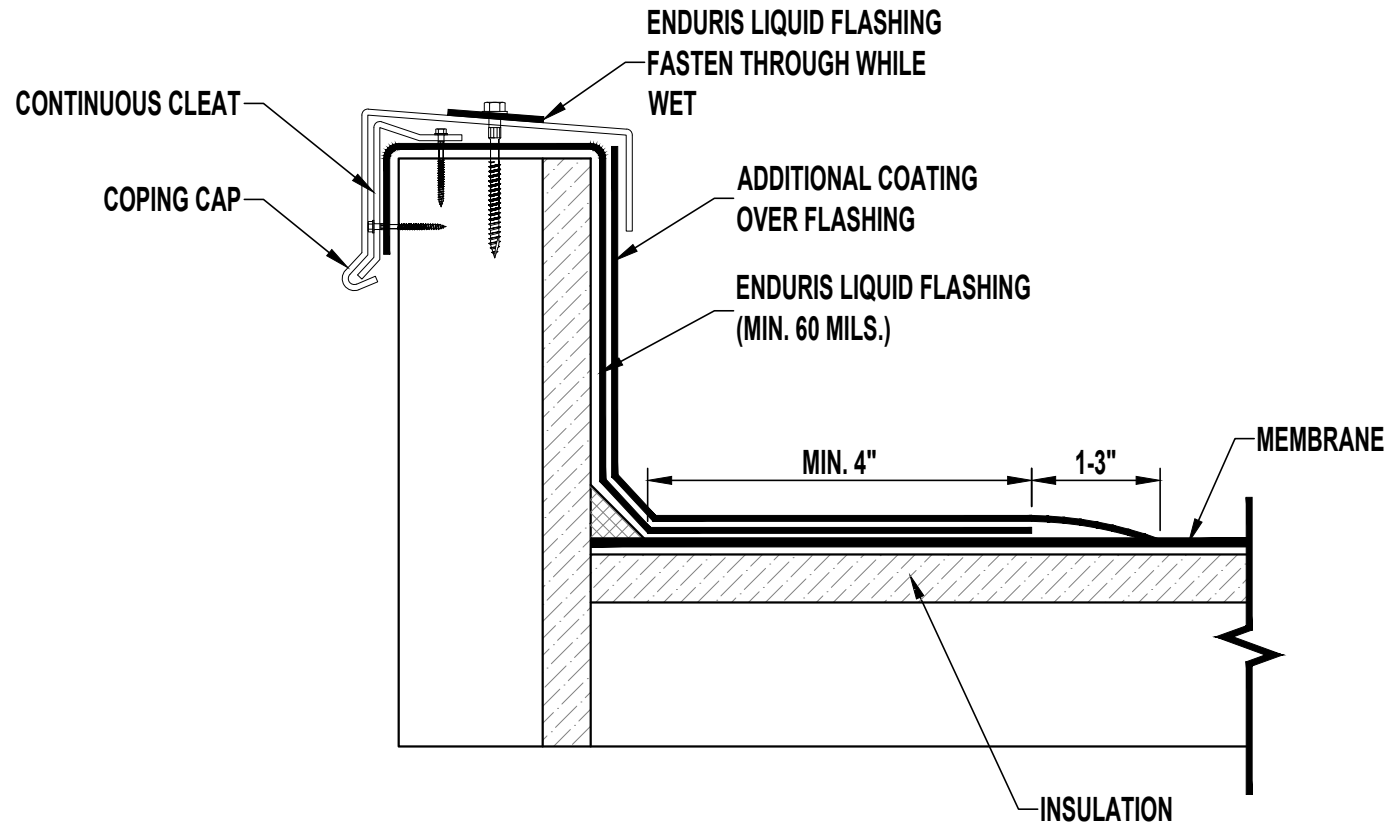
THE ABOVE DETAIL IS FOR ILLUSTRATION PURPOSES ONLY. IT IS INTENDED AS A GUIDELINE TO ASSIST MOMENTIVE PERFORMANCE MATERIALS PRODUCT USERS IN DEVELOPING PROJECT SPECIFIC DETAILS. CONSULT APPROPRIATE SPECIFICATION DOCUMENTS, DATA SHEETS, BUILDING CODES AND ANY OTHER INFORMATION DEEMED NECESSARY FOR SPECIFIC REQUIREMENTS. MOMENTIVE PRODUCT USERS ARE RESPONSIBLE FOR DETERMINING THE SUITABILITY OF MOMENTIVE PRODUCTS FOR THE PARTICULAR APPLICATION AND ALL RELATED PROJECT DETAILS. MOMENTIVE MAKES NO WARRANTY, EXPRESS OR IMPLIED, WITH RESPECT TO THE PERFORMANCE, SUITABILITY OR FITNESS FOR INTENDED USE OF ITS PRODUCTS IN ANY USER'S APPLICATION. ANY SALE OF PRODUCTS OR DELIVERY OF CUSTOMER SUPPORT AND ADVICE BY MOMENTIVE PERFORMANCE MATERIALS INC. AND/OR ANY OF ITS AFFILIATES ("MOMENTIVE") IS MADE EXCLUSIVELY UNDER MOMENTIVE'S STANDARD CONDITIONS OF SALE, WHICH ARE AVAILABLE AT [WWW.GESILICONES.COM](http://WWW.GESILICONES.COM)

SCALE: N.T.S.

DATE: 2019-09-09



# GE Silicones



## COPING CAP

### GE SILICONES ENDURIS\* SILICONE ROOF COATING SYSTEMS

DETAIL #: 21

THE ABOVE DETAIL IS FOR ILLUSTRATION PURPOSES ONLY. IT IS INTENDED AS A GUIDELINE TO ASSIST MOMENTIVE PERFORMANCE MATERIALS PRODUCT USERS IN DEVELOPING PROJECT SPECIFIC DETAILS. CONSULT APPROPRIATE SPECIFICATION DOCUMENTS, DATA SHEETS, BUILDING CODES AND ANY OTHER INFORMATION DEEMED NECESSARY FOR SPECIFIC REQUIREMENTS. MOMENTIVE PRODUCT USERS ARE RESPONSIBLE FOR DETERMINING THE SUITABILITY OF MOMENTIVE PRODUCTS FOR THE PARTICULAR APPLICATION AND ALL RELATED PROJECT DETAILS. MOMENTIVE MAKES NO WARRANTY, EXPRESS OR IMPLIED, WITH RESPECT TO THE PERFORMANCE, SUITABILITY OR FITNESS FOR INTENDED USE OF ITS PRODUCTS IN ANY USER'S APPLICATION. ANY SALE OF PRODUCTS OR DELIVERY OF CUSTOMER SUPPORT AND ADVICE BY MOMENTIVE PERFORMANCE MATERIALS INC. AND/OR ANY OF ITS AFFILIATES ("MOMENTIVE") IS MADE EXCLUSIVELY UNDER MOMENTIVE'S STANDARD CONDITIONS OF SALE, WHICH ARE AVAILABLE AT [WWW.GESILICONES.COM](http://WWW.GESILICONES.COM)

SCALE: N.T.S.

DATE: 2019-09-09